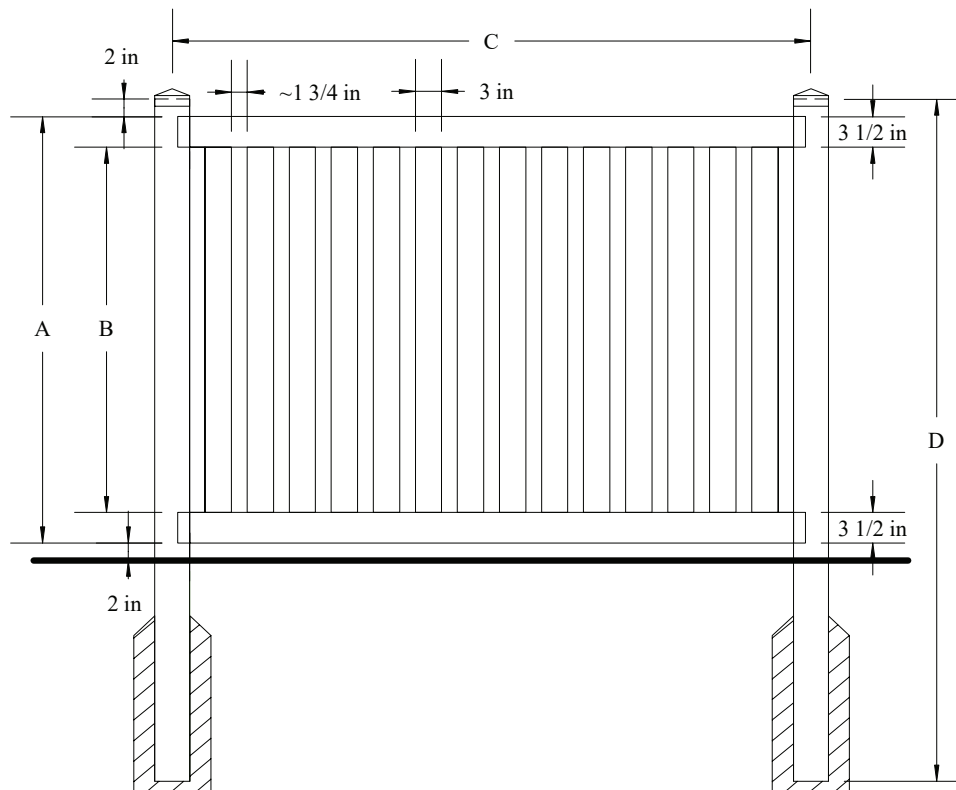


Z12 Closed Picket

Contemporary Picket fences are constructed with both sides of the panels being exactly the same. The pickets are assembled through the rails instead of simply being attached to them. This creates a neighborhood friendly fence that is beautiful from each side.

THIS DRAWING IS CONFIDENTIAL AND THE PROPERTY OF SOUTHERN VINYL MANUFACTURING, LLC

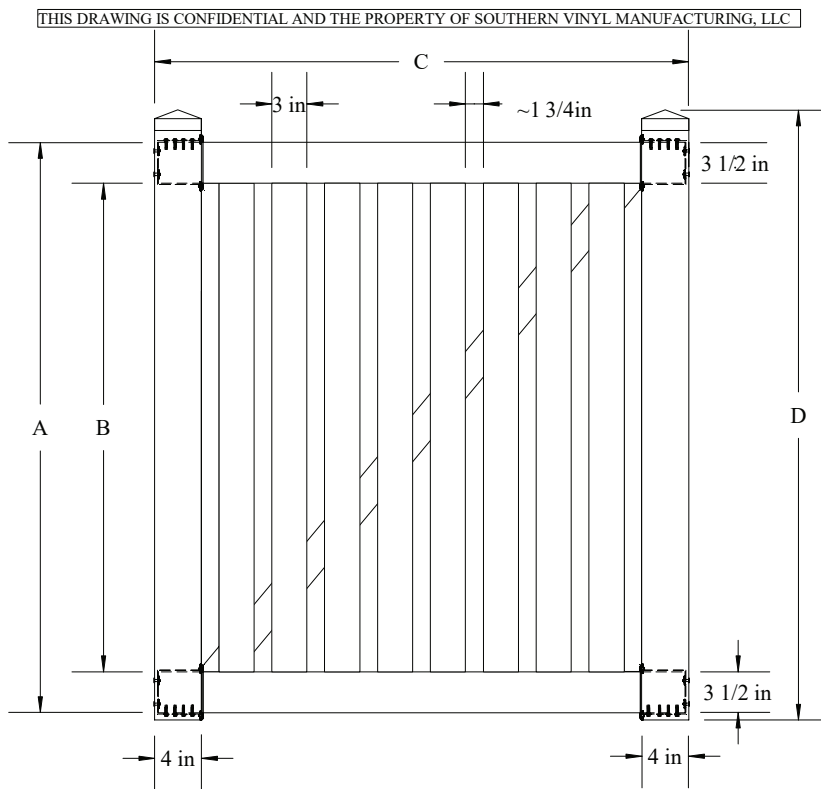


	A	B	C	D
4'	48 3/4"	41 3/4"	72 3/4"	78"
54"	50"	43"	72 3/4"	78"
5'	56"	49"	72 3/4"	84"
6' w/ Mid	68"	61"	72 3/4"	96"

Tolerances Unless otherwise specified:
Fractions: +/- 1/8"
Decimals: +/- .125"

G12 Closed Picket (Walk)

Contemporary Picket fences are constructed with both sides of the panels being exactly the same. The pickets are assembled through the rails instead of simply being attached to them. This creates a neighborhood friendly fence that is beautiful from each side.



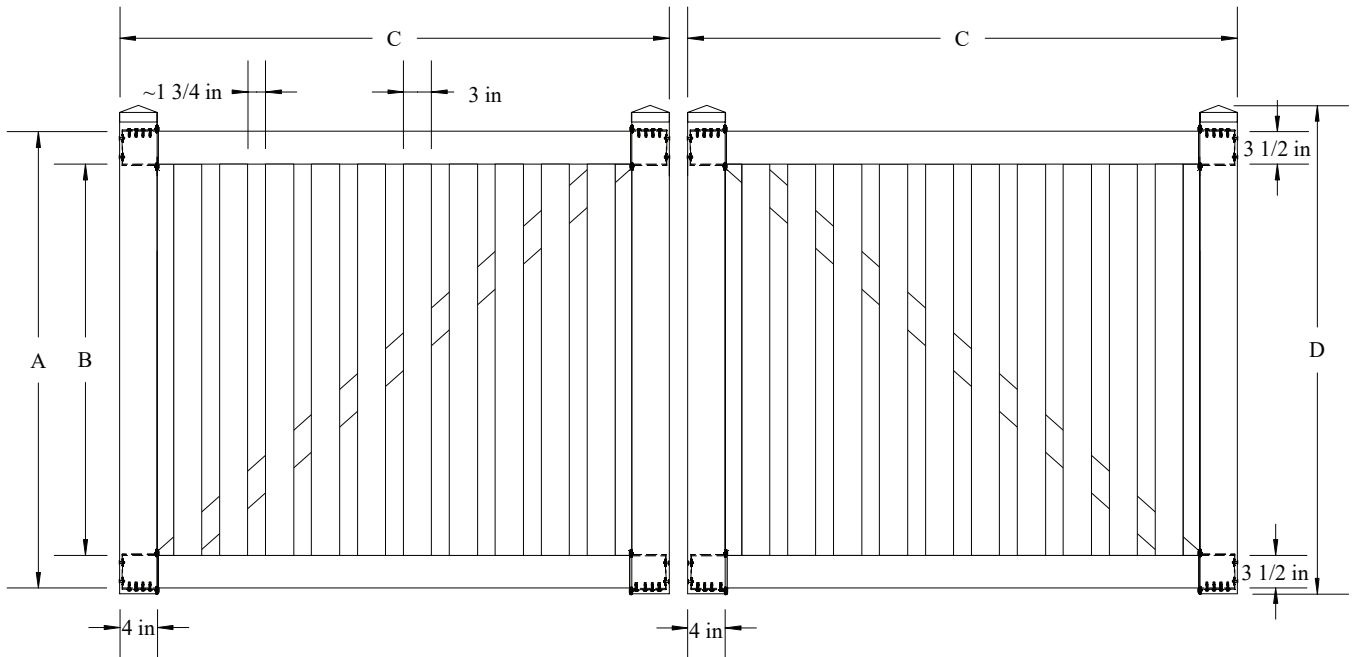
	A	B	C-4"W	C-5"W	C-6"W	D
4"H	48 3/4"	41 3/4"	45 5/8"	57 5/8"	69 5/8"	51 7/8"
54"H	50"	43"	45 5/8"	57 5/8"	69 5/8"	53 1/8"
5"H	56"	49"	45 5/8"	57 5/8"	69 5/8"	59 1/8"
6"H w/ Mid	68"	61"	45 5/8"	57 5/8"	69 5/8"	71 1/8"

Tolerances Unless otherwise specified:
 Fractions: +/- 1/8"
 Decimals: +/- .125"

G12 Closed Picket (Double)

Contemporary Picket fences are constructed with both sides of the panels being exactly the same. The pickets are assembled through the rails instead of simply being attached to them. This creates a neighborhood friendly fence that is beautiful from each side.

THIS DRAWING IS CONFIDENTIAL AND THE PROPERTY OF SOUTHERN VINYL MANUFACTURING, LLC



	A	B	C-8'W	C-10'W	C-12'W	D
4'H	48 3/4"	41 3/4"	46 5/8"	58 5/8"	70 5/8"	51 7/8"
54"H	50"	43"	46 5/8"	58 5/8"	70 5/8"	53 1/8"
5'H	56"	49"	46 5/8"	58 5/8"	70 5/8"	59 1/8"
6'H w/ Mid	68"	61"	46 5/8"	58 5/8"	70 5/8"	71 1/8"

Tolerances Unless otherwise specified:
Fractions: +/- 1/8"
Decimals: +/- .125"