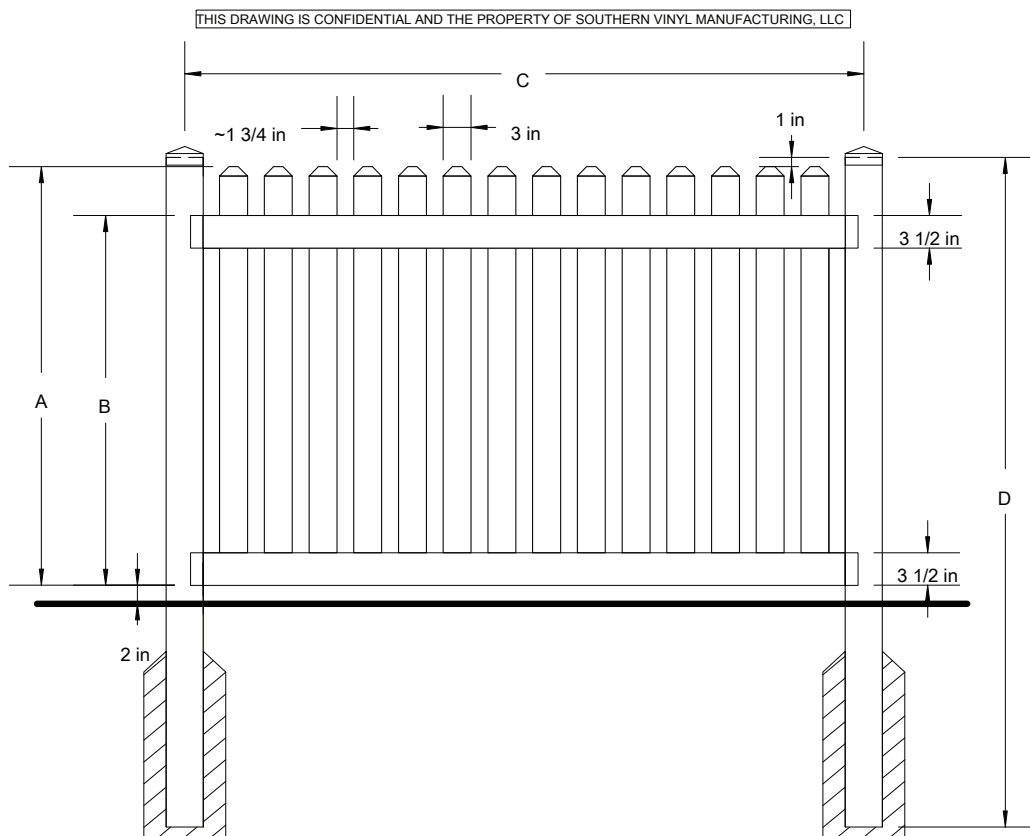


Z40 Routed Straight Picket

Contemporary Picket fences are constructed with both sides of the panels being exactly the same. The pickets are assembled through the rails instead of simply being attached to them. This creates a neighborhood friendly fence that is beautiful from each side.

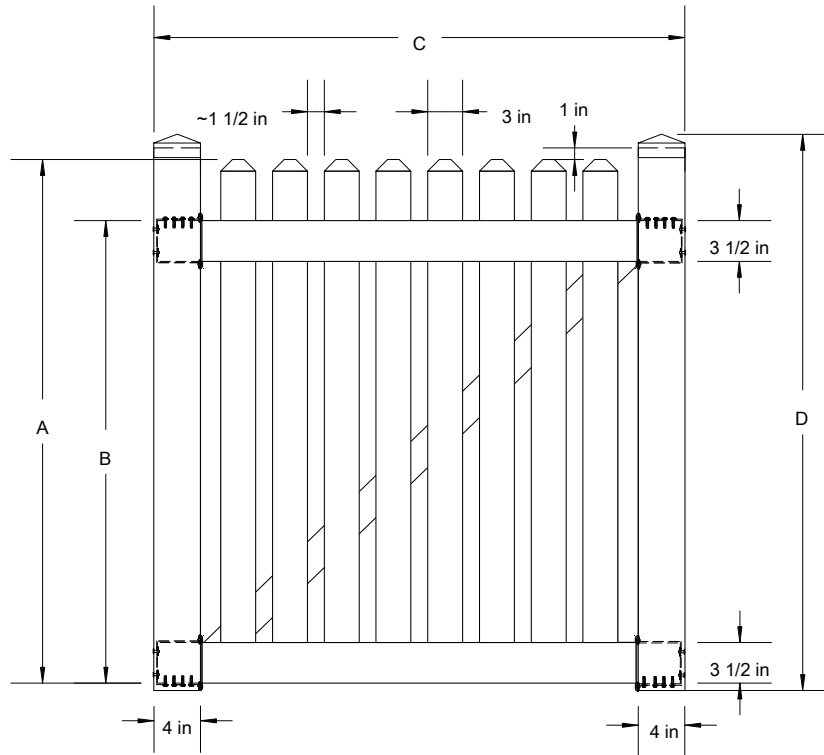


	A	B	C	D
Tolerances Unless otherwise specified:				
Fractions: +/- 1/8"	4'	45"	39 3/4"	72 3/4"
Decimals: +/- .125"	5'	57"	51 3/4"	72 3/4"
	6' w/ Mid	69"	63 3/4"	72 3/4"

G40 Routed Straight Picket (Walk)

Contemporary Picket fences are constructed with both sides of the panels being exactly the same. The pickets are assembled through the rails instead of simply being attached to them. This creates a neighborhood friendly fence that is beautiful from each side.

THIS DRAWING IS CONFIDENTIAL AND THE PROPERTY OF SOUTHERN VINYL MANUFACTURING, LLC

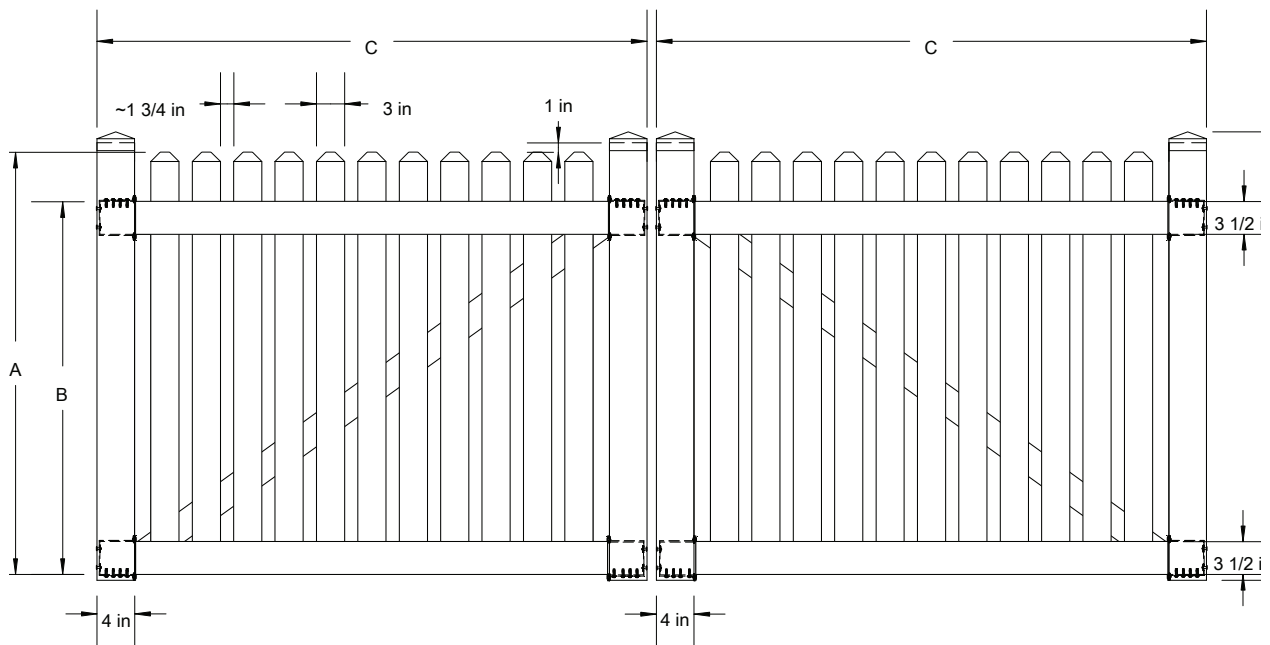


		A	B	C-8'W	C-10'W	C-12'W	D
Tolerances Unless otherwise specified: Fractions: +/- 1/8" Decimals: +/- .125"	4'H	45"	39 3/4"	46 5/8"	58 5/8"	70 5/8"	47 3/4"
	5'H	57"	51 3/4"	46 5/8"	58 5/8"	70 5/8"	59 3/4"
	6'H w/ Mid	69"	63 3/4"	46 5/8"	58 5/8"	70 5/8"	71 3/4"

G40 Routed Straight Picket (Double)

Contemporary Picket fences are constructed with both sides of the panels being exactly the same. The pickets are assembled through the rails instead of simply being attached to them. This creates a neighborhood friendly fence that is beautiful from each side.

THIS DRAWING IS CONFIDENTIAL AND THE PROPERTY OF SOUTHERN VINYL MANUFACTURING, LLC



		A	B	C-8"W	C-10"W	C-12"W	D
Tolerances Unless otherwise specified: Fractions: +/- 1/8" Decimals: +/- .125"	4'H	45"	39 3/4"	46 5/8"	58 5/8"	70 5/8"	47 3/4"
	5'H	57"	51 3/4"	46 5/8"	58 5/8"	70 5/8"	59 3/4"
	6'H w/ Mid	69"	63 3/4"	46 5/8"	58 5/8"	70 5/8"	71 3/4"